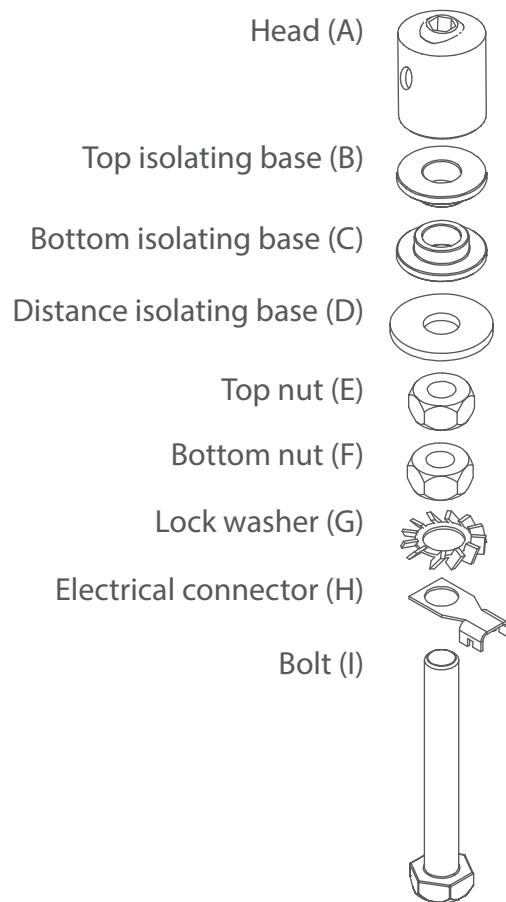


Parts needed for assembly and use of the P-B-Z fastener:

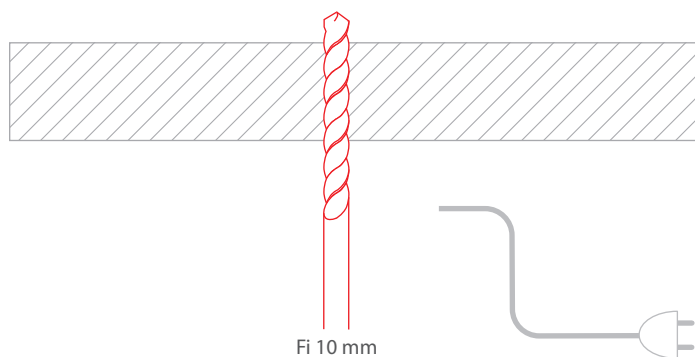


Tools needed when mounting:

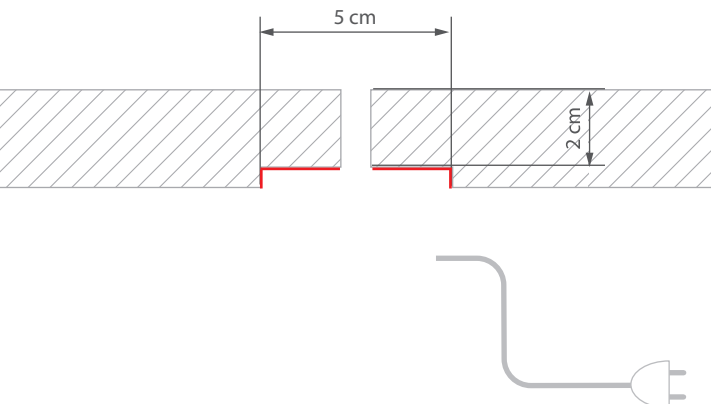
- allen key
- drill
- pliers
- flat wrench

NOTE! A list of products corresponding with the selected accessories is available at www.klusdesign.eu

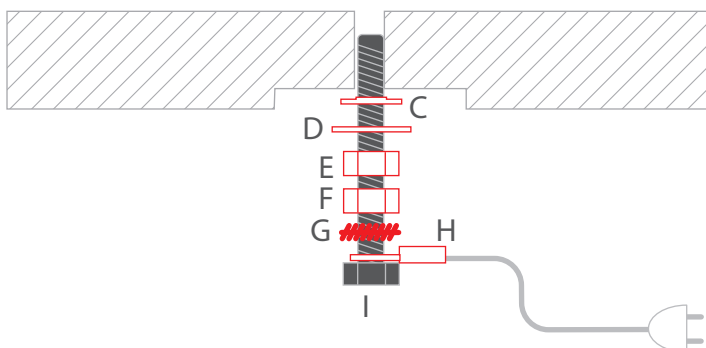
1. Drill a 10 mm in diameter hole in the countertop. There will be a single pole power wire run under the countertop to this hole.



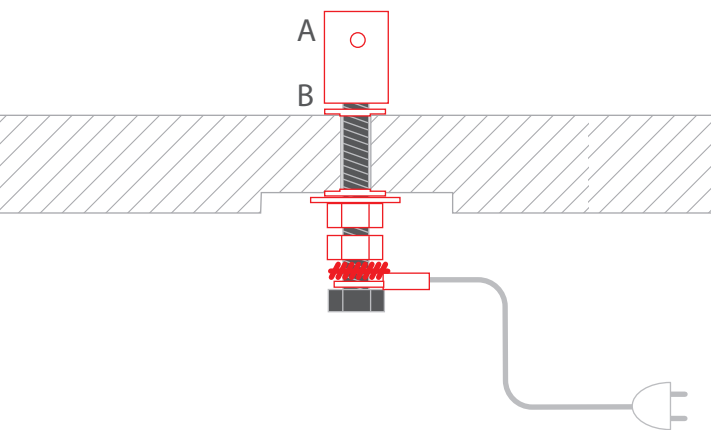
2. ATTENTION! If the countertop is thicker than 2cm, it needs to be milled from the bottom so that the thickness at the mounting spot will not exceed 2cm. Recommended width of the cutter is 5cm – it will allow to use flat keys in the next phase of the mounting process.



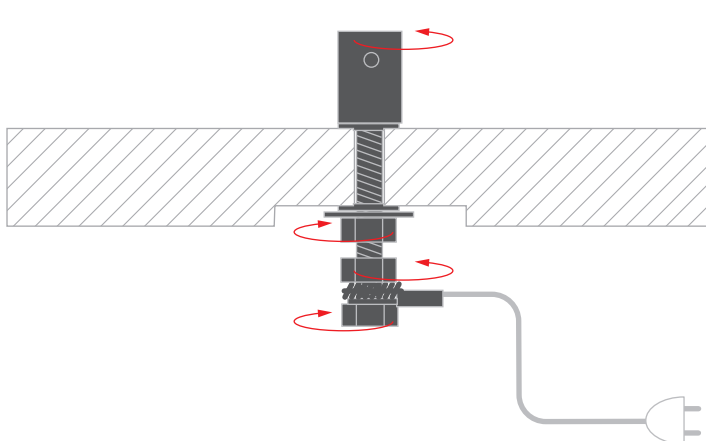
3. Attach the wire to the electrical connector (H) and out it on the bolt (I), then add the locking washer (G), bottom and top nuts (F, E), distance isolating base (D) and bottom isolating base (C). Insert the thread into the whole.



4. On the top part of the thread insert in the following order: top isolating base (B) and head (A).



5. Screw in the head to secure the fastener to the countertop. Tighten the bottom nut so that electrical connector and locking washer are tightened. It is recommended to use two flat wrenches.



6. Insert the rod from the fixture into the head. Block the rod by tightening the allen screw inside the head with the use of allen key.

