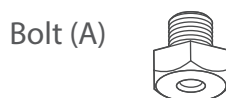
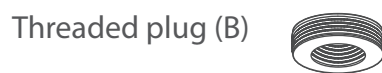
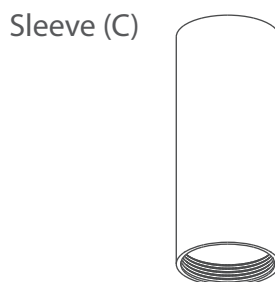
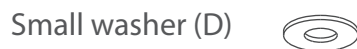
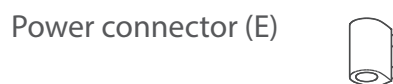
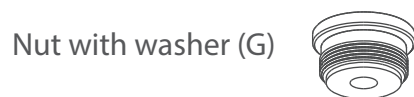


Parts needed to mount the PUSZ-LIN-LEB fastener

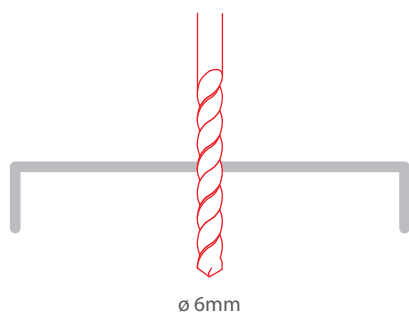


Tools needed for mounting:

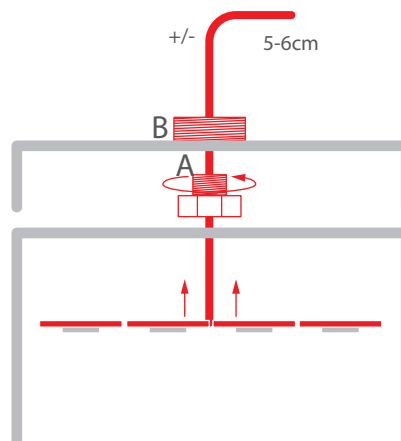
- Allen wrench
- drill
- pliers

NOTE! A list of products corresponding with the selected accessories is available at www.klusdesign.eu

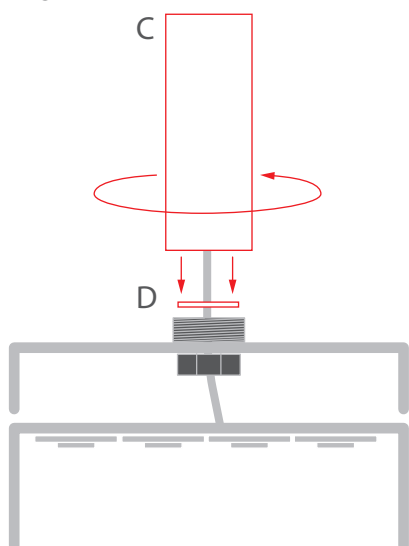
1. Drill holes with a diameter of 4mm to 8mm in the back of the extrusion. One hole per fastener



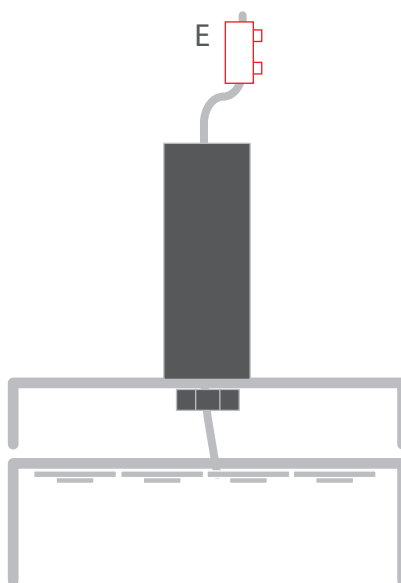
2. Mount LED strips in the extrusion. Insert the threaded plug (A) into the small locks of the profile and place it over the drilled hole. Run a short cable (approx. 5-6cm) from one pole of a LED strip.



3. Run the cable through the small washer (D) and put the sleeve (C) on the entire assembly. Tighten the sleeve on the arm with thread to stop the fastener from moving.



4. Attach the power connector (E) to the cable end.



5. Run a steel cable through the clamp (F) twice. Then squeeze the clamp with e.g. pliers to stop the steel cable from moving



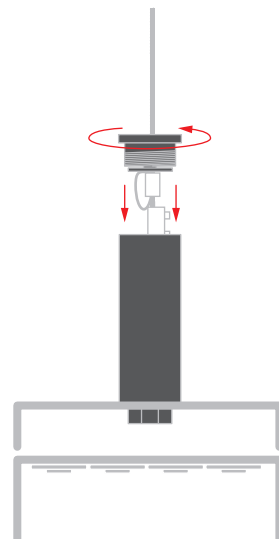
6. Insert the end of the steel cable into the power connector (E) and squeeze it by tightening the terminals of the power connector with the Allen wrench.



7. Pull the nut (G) on from the other side of the steel cable.



8. Insert the entire assembly into the sleeve and tighten the nut.



9. Suspend the lighting fixture using a selected suspension system.

