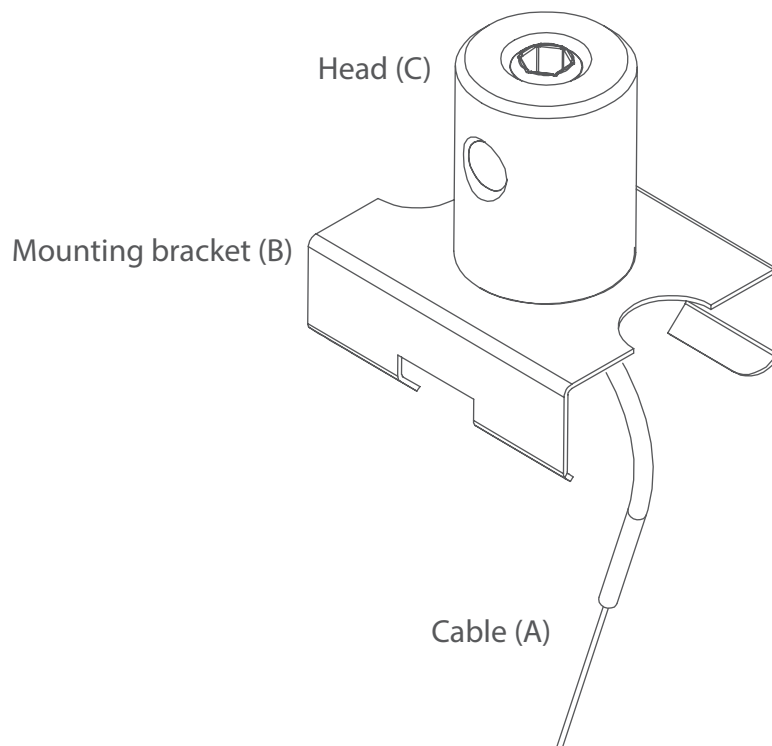


**Parts needed to mount the 45-ZO conductive head**

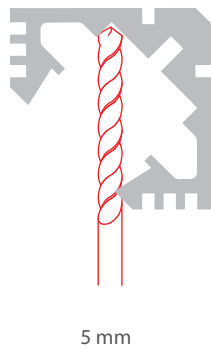


**Tools needed for mounting:**

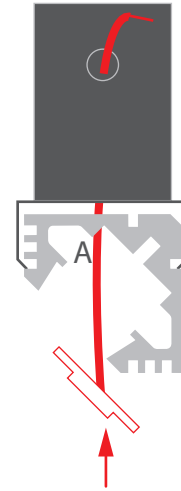
- allen wrench
- drill

**NOTE!** A list of products corresponding with the selected accessories is available at [www.KlusDesign.eu](http://www.KlusDesign.eu)

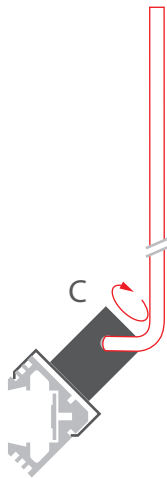
**1.** Drill a 5mm diameter hole in the selected extrusion.



**2.** Mount the LED strip and run the cable (A) through the hole to the mounting bracket and through the head. Insert the lighting fixture into the mounting bracket.



**4.** Mount the arm in the head (C) by tightening the pressure screw in the head with the Allen wrench.



**4. NOTE!** The position of the lighting fixture on the arm can be adjusted in the range of 360° (depending on the distance of the fastener from the edge of the extrusion).

