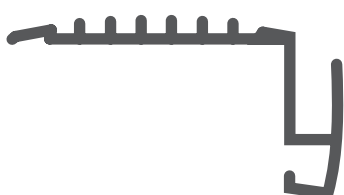


**Parts needed to assemble the STEKO Fixture**



Extrusion (A)



End cap (B)



Silicone string (C)



LED Tape (D)

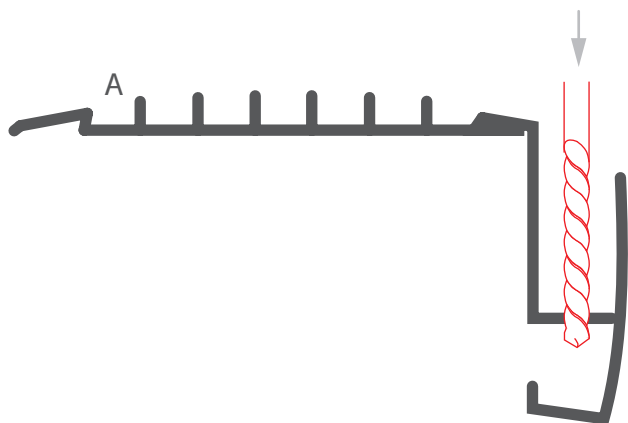
**Tools needed for mounting:**

- drill
- screwdriver

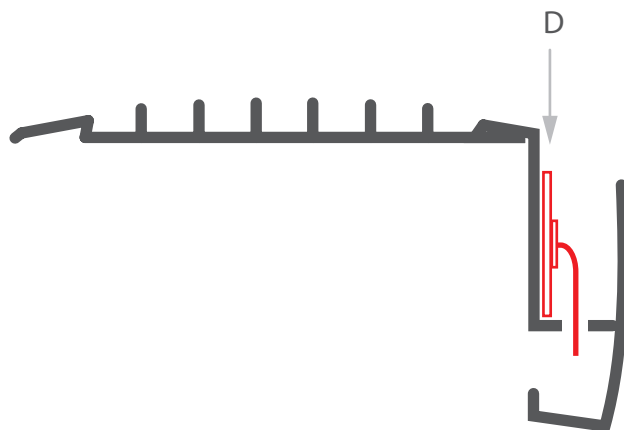
**NOTE!** All LED strips must be connected to a 12 V or 24 V power supply.

**IMPORTANT:** The manual presents the simplest mounting procedure. More mounting procedures and related accessories can be found at [www.klusdesign.eu](http://www.klusdesign.eu)

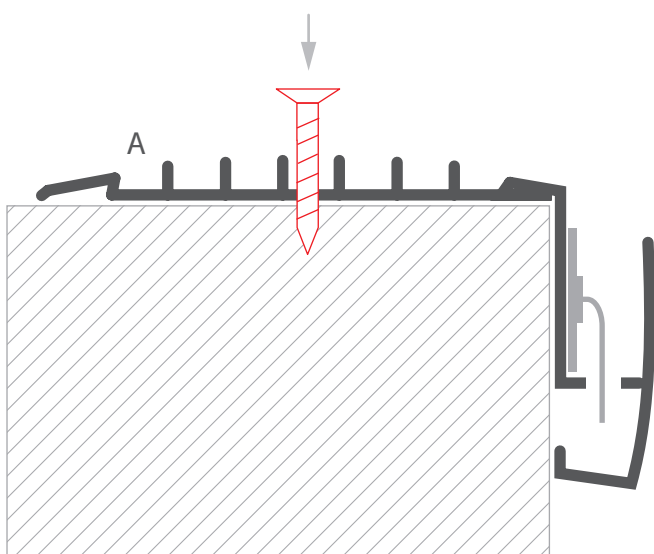
**1.** Drill a hole in the the extrusion (A) where the power wire will be fed to the LED tape.



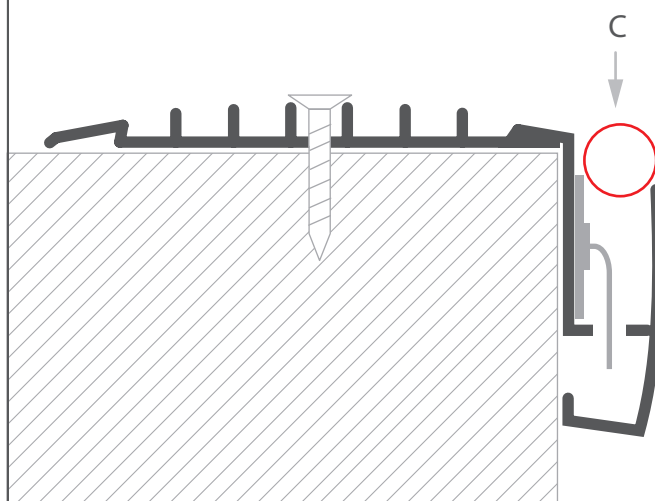
**2.** Mount the LED (D), then run the power wire through the hole drilled earlier.



**2.** Fasten the extrusion (A) to the surface with appropriate screws for the substrate.



**4.** Insert the silicone string (C) into the extrusion above the LED tape.



**5.** Insert the end cap (B).

