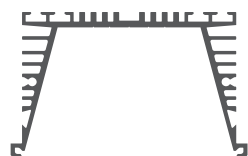


Parts needed to mount the SEKOMA and TESE extrusions



Mounting strip (A)



Extrusion (B)



LED strip (C)



Mounting spring (D)



Cover (E)



Technical end cap (F)



End cap (G)

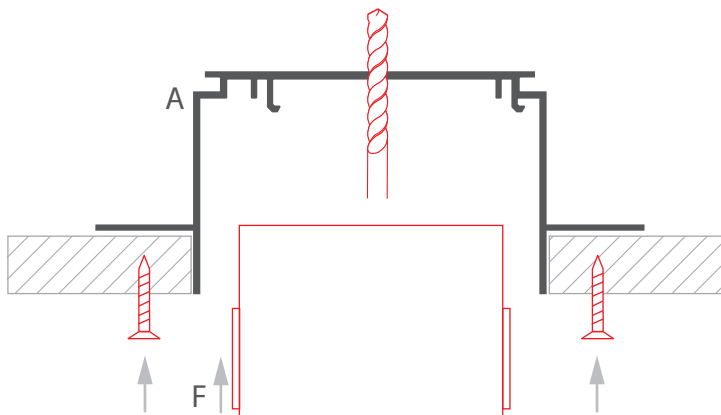
Tools needed for mounting:

- drill
- screwdriver

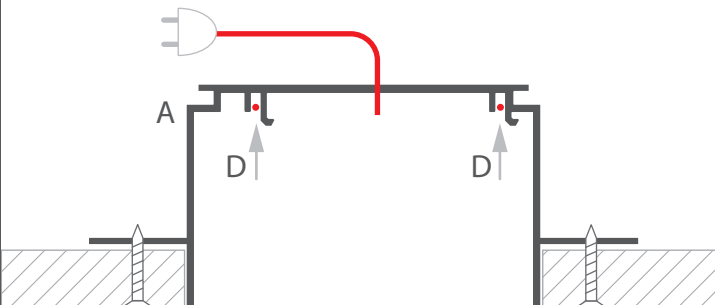
NOTE! All LED strips must be connected to a 12 V or 24 V power supply.

IMPORTANT: The manual presents the simplest mounting procedure.
More mounting procedures and related accessories can be found at www.klusdesign.eu

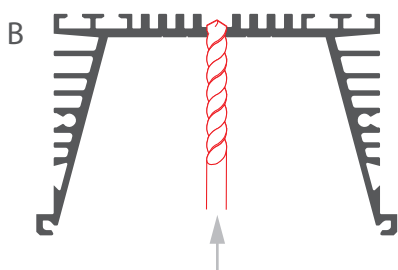
1. Drill holes in the mounting strip (A) to lead out the power cable and insert the end cap (F). Attach the mounting strip to the ceiling surface with screws.



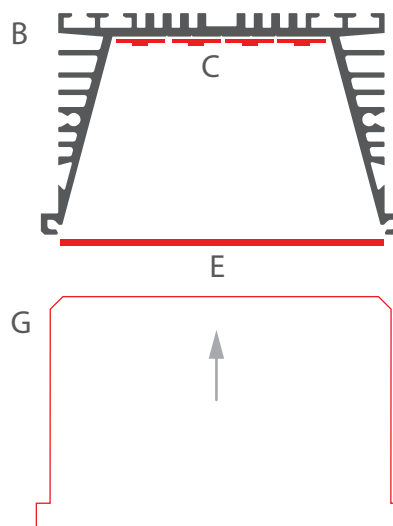
2. Run the power cable. Insert the mounting springs (D). The number of springs should be: 4 for 1-meter long profiles, 6 for 2-meters long profiles and 8 for 3-meters long profiles. First and last spring should be placed 10-15 cm from the end of the profile.



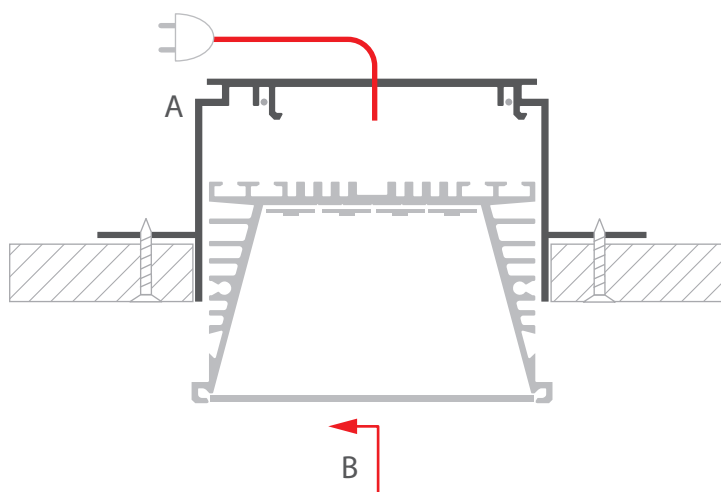
3. Drill holes in the extrusion (B) to run the power cable through it.



4. Mount the LED strips (C) and insert the cover (E) and then the end cap (G).



5. Insert the extrusion (B) with the end cap into the mounting strip (A) and connect the power cable.



NOTE! When constructing polygonal fixtures, it is necessary to pay attention that the hooks of the assembly strip are turned to face outside the built shape. The last piece of the fixture to be mounted should be with the edges cut at an angle inwards to the inside of the polygonal fixture.

