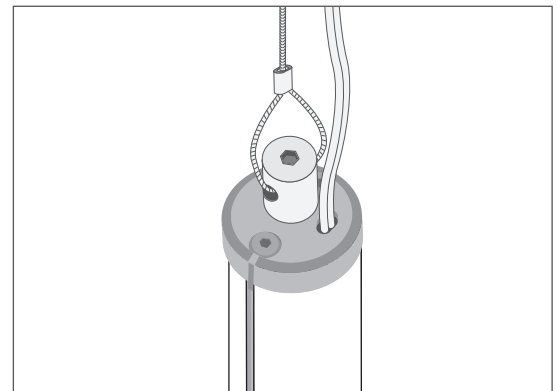


1. JAZ-DUO extrusion (Ref. C0788)
2. LED strip*
3. Power cable
4. Conductive end cap for JAZ-DUO*
5. End cap bolt
6. Wire lock nut
7. End cap for JAZ-DUO*
8. Power connector for the suspension wire
9. Suspension Wire*
10. Cover*
11. Conductive fastener*
12. Power supply 12 V or 24 V*

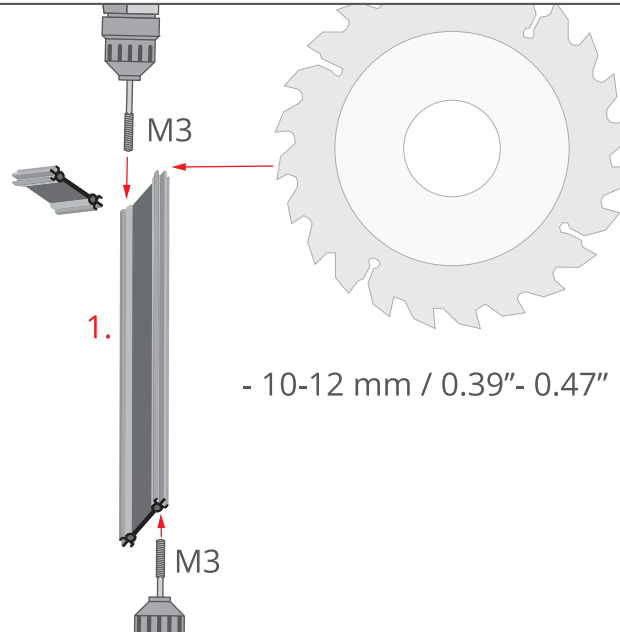
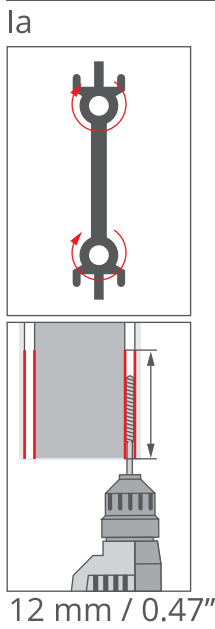
*The full range of accessories and electronics is available at www.KlusDesign.eu

NOTE! All LED strips must be connected to a 12 V or 24 V power supply.

IMPORTANT: Not all possible mounting procedures are presented here. More mounting procedures and related accessories can be found at www.KlusDesign.eu. Drawings of extrusions and accessories in these instructions are simplified and only approximate the actual shapes.

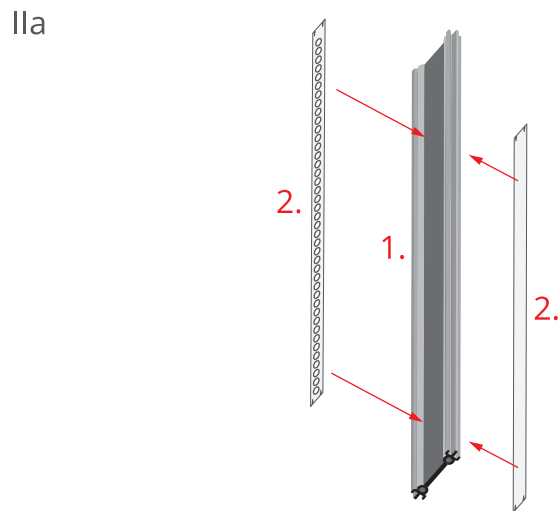


For lighting fixtures with increased power consumption and long suspension, it is recommended to use a conductive end cap with a hole through which a cable with a suitable cross-section can be run. For more information, contact the KLUŠ sales department.



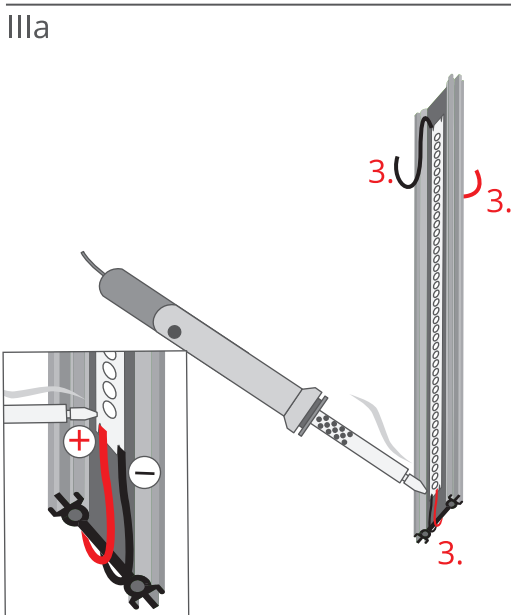
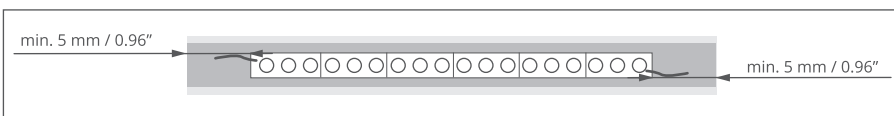
Shorten the JAZ-DUO extrusion (1) 10-12 mm / 0.39" - 0.47" relative to the cover by

Thread the channels in the extrusion to a depth of 12 mm / 0.47" with an M3 threader.



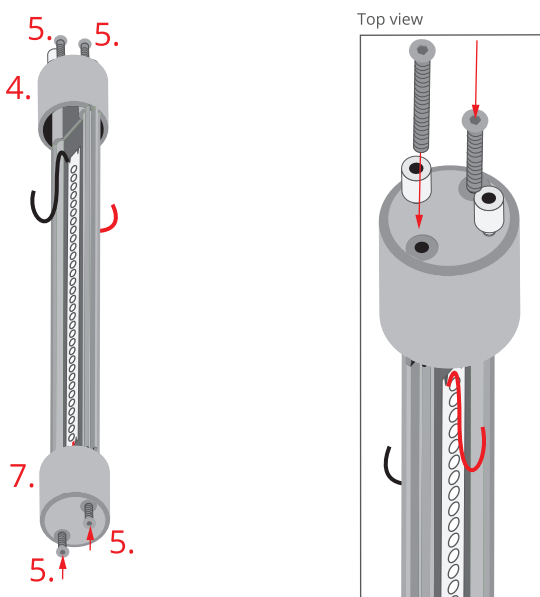
Adhere the LED strip (2) to the JAZ-DUO extrusion (1).

The LED strip must be shorter than the extrusion by min. 5 mm on each side.



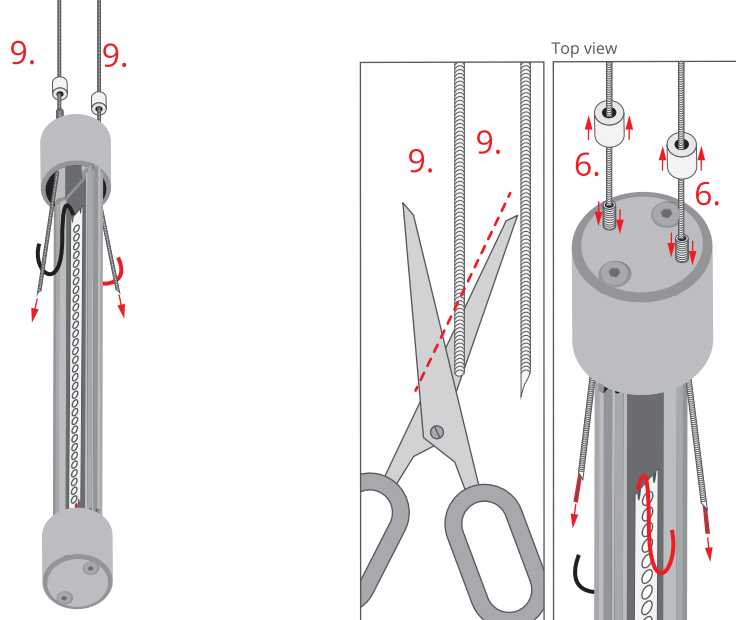
Solder the power cables (3) and create a serial connection between the two strips at the bottom end of the extrusion.

IVa



Attach the conductive end cap (4) to the top of the extrusion and the load end cap at the bottom (7). Secure the two end caps with the bolts (5).

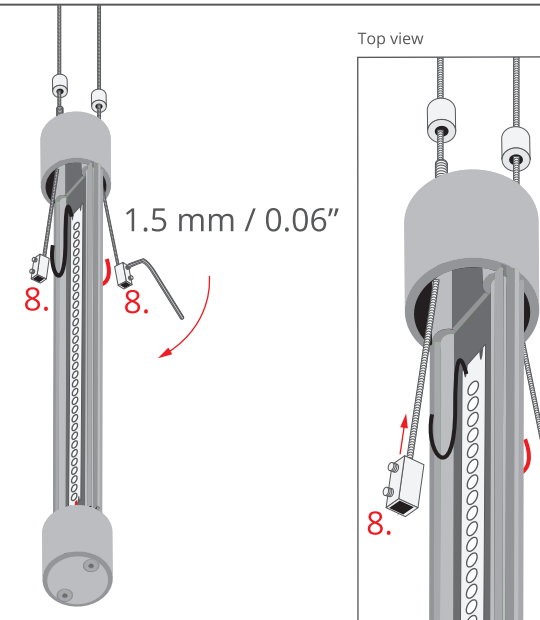
Va



Cut the ends of the suspension wires (9) at an angle.

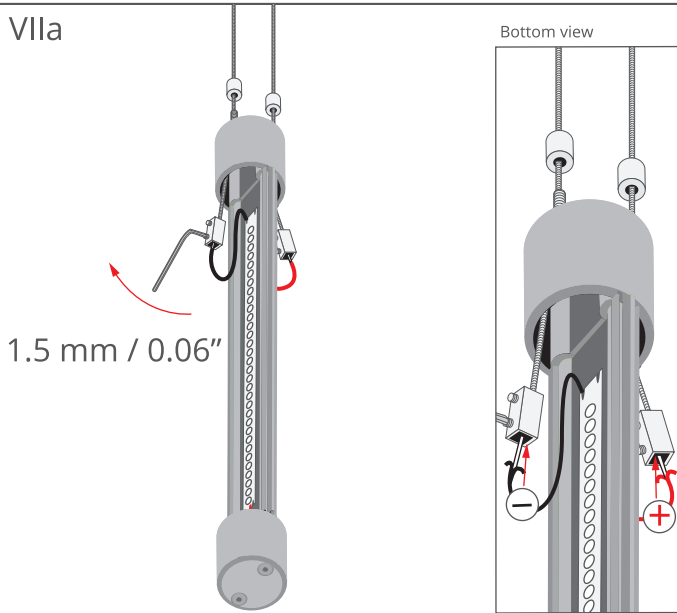
Unscrew the nuts (6) in the conductive end cap and then pull the suspension wires through them. Next, run the wires through the locks in the end cap, pressing them against the body. Pull out the ends of the wires from inside the end cap and remove the insulation.

VIa



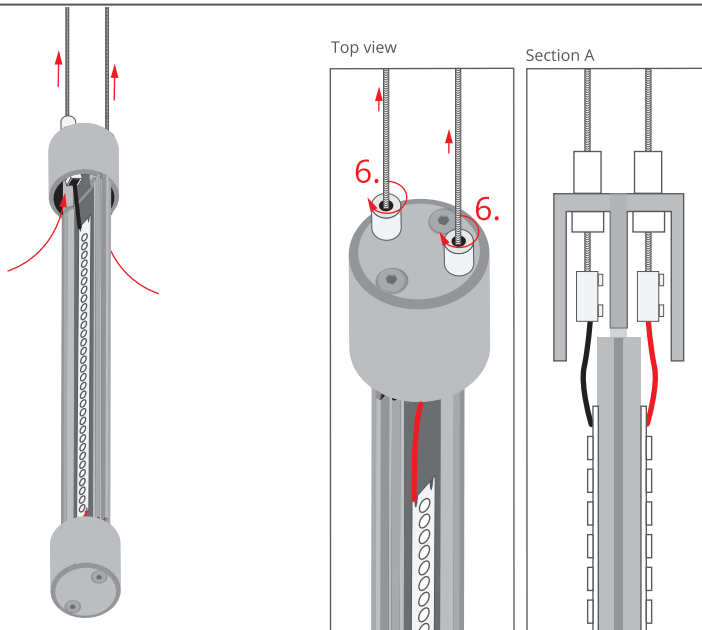
Mount the power connectors (8) and tighten them with a (1.5 mm / 0.06") Allen wrench.

VIIa



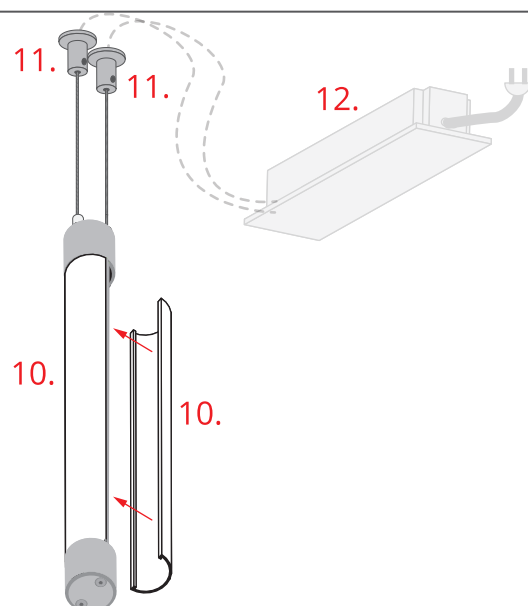
Remove the insulation from the ends of the LED power cables and insert them into the power connectors (for this purpose you will need to loosen the connectors). Tighten the connectors with a (1.5 mm / 0.06") Allen wrench.

VIIIa



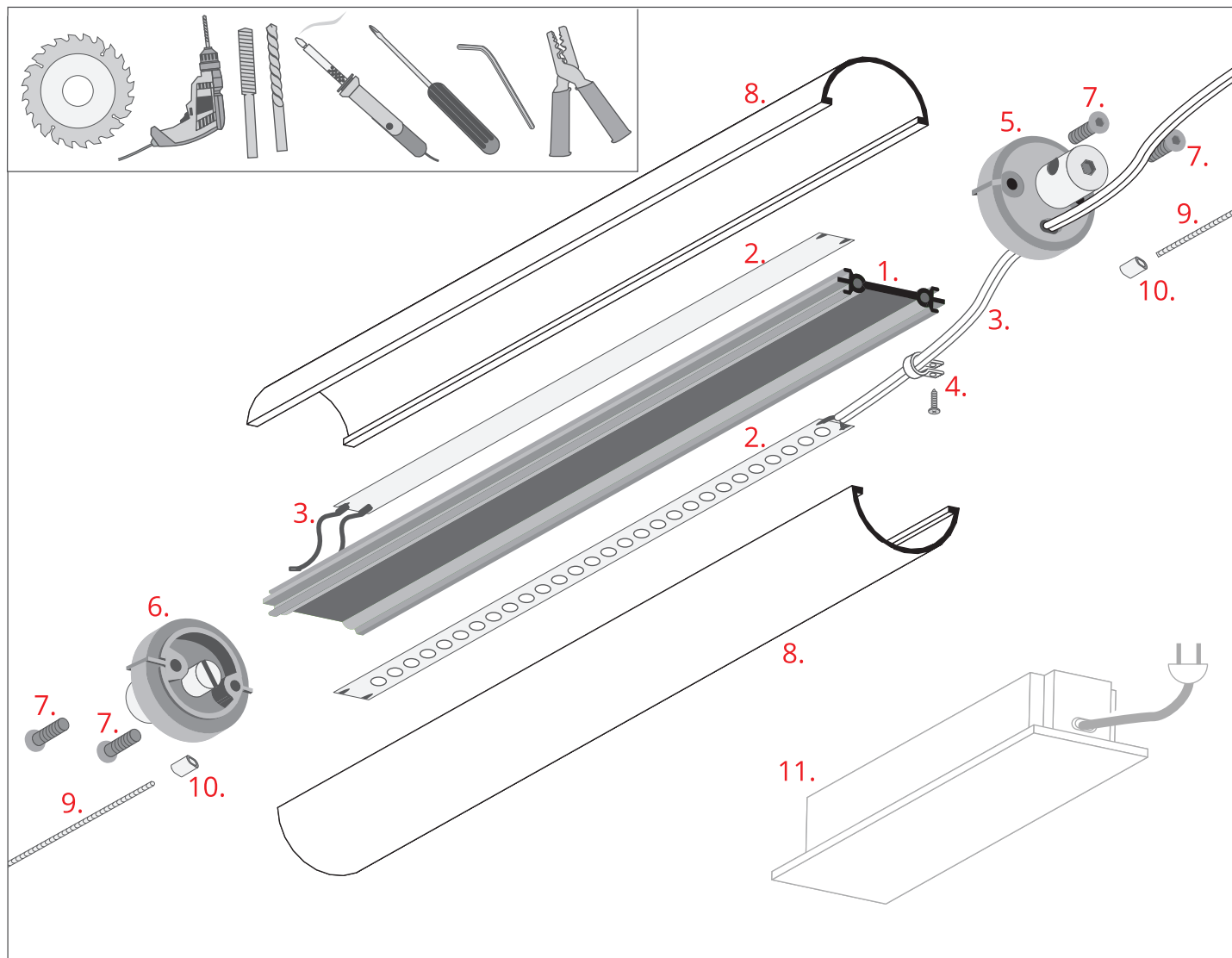
Pull the wires so that the connectors are inside the end cap. Lower and tighten the nuts (6). (See section A)

IXa



Attach the covers (10) and suspend the lighting fixture using the ceiling fasteners (11). The lighting fixture is then connected to a 12V or 24V power supply (12).

(For more information on ceiling fasteners, please visit www.KlusDesign.eu).

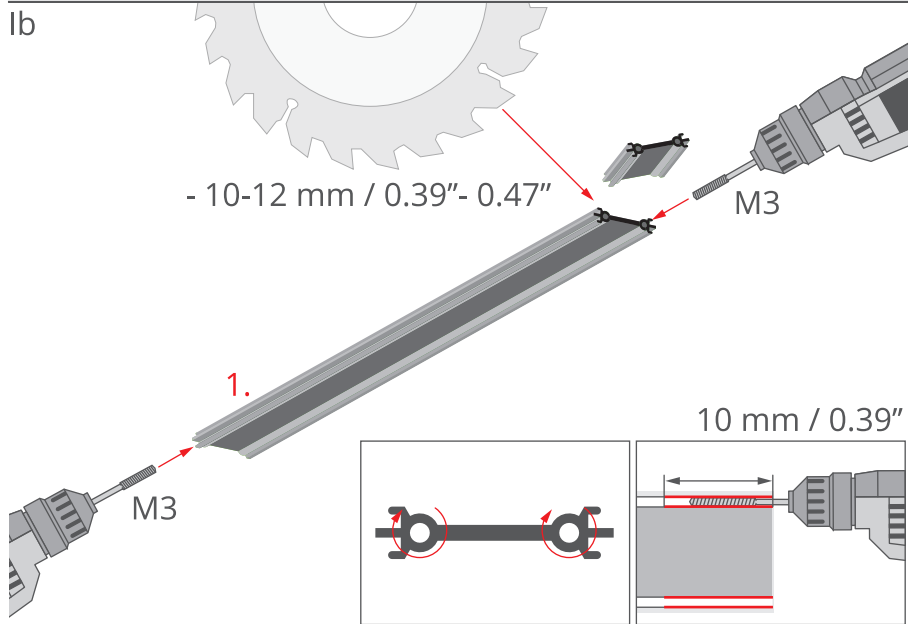


1. JAZ-DUO extrusion (Ref. C0788)
2. LED strip*
3. Power cable
4. Wire clamp with a self-tapping screw
5. End cap with hole for JAZ-DUO*
6. End cap for JAZ-DUO*
7. End cap bolt
8. Cover*
9. Suspension wire*
10. Wire crimp*
11. Power supply 12 V or 24 V*

*The full range of accessories and electronics is available at www.KlusDesign.eu

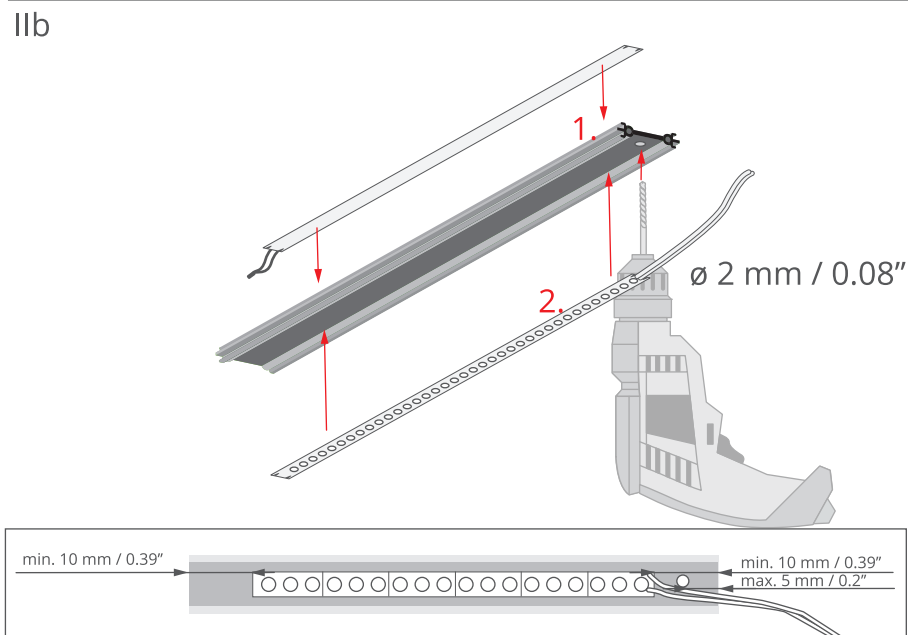
NOTE! All LED strips must be connected to a 12 V or 24 V power supply.

IMPORTANT: The instruction does not show all mounting options. Additional accessories related to the product along with mounting instructions are available at www.KlusDesign.eu. Drawings of extrusions and accessories in these instructions are simplified and only approximate the actual shapes.



Shorten the JAZ-DUO extrusion (1) relative to the cover by 10-12 mm / 0.39" - 0.47".

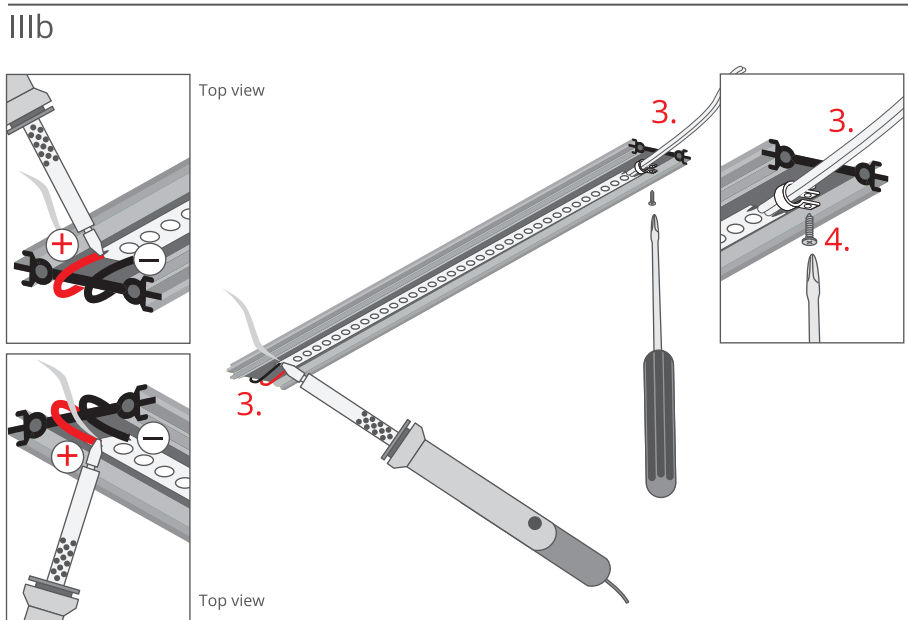
Thread the channels in the extrusion to a depth of 10 mm / 0.39" with an M3 threader.



Drill a 2 mm / 0.08" hole at the edge of the extrusion (the optimal distance from the edge is 5 mm / 0.2")

Glue the LED strip (2) to the JAZ-DUO extrusion (1).

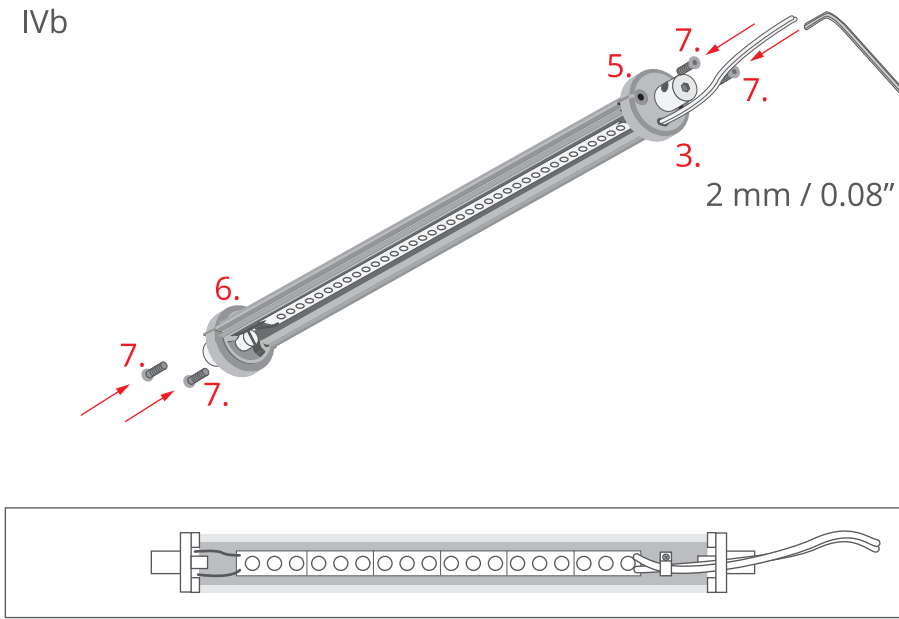
Leave a min. 10 mm / 0.39" between the ends of the strip and the ends of the extrusion.



Create a serial connection between the two strips (3) at the end of the extrusion.

At the other end run the cables (3) through the wire clamp (4) and secure it with the self-tapping screw in the previously drilled hole.

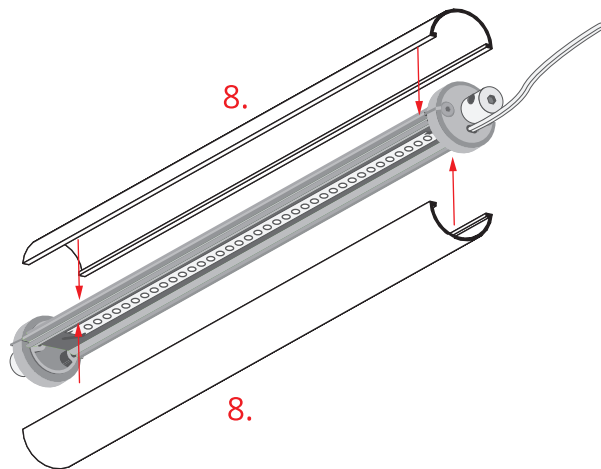
IVb



Insert the end caps (5, 6) into the JAZ-DUO extrusion and tighten them with the bolts (7) using an Allen wrench (2 mm / 0.08").

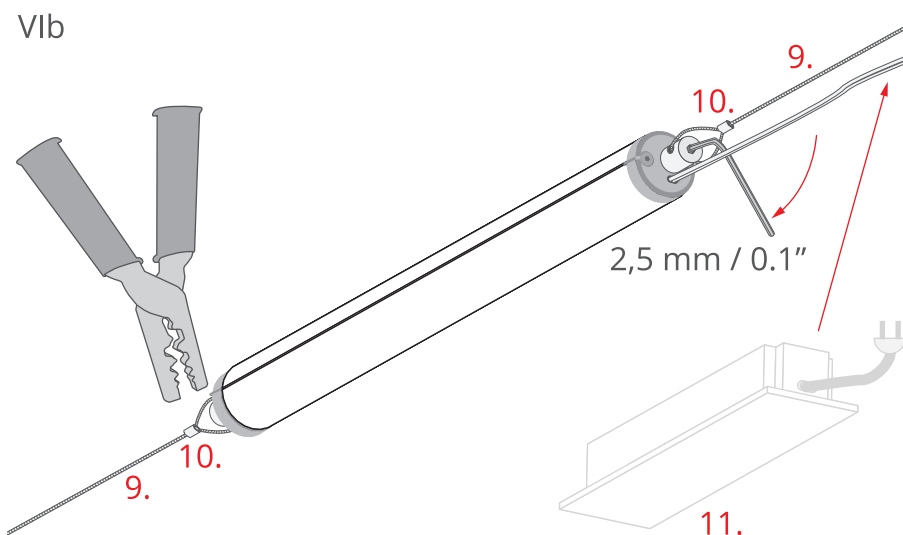
Run the power cable (3) through the hole in the end cap.

Vb



Attach the covers (8).

VIb



Suspend the lighting fixture on the wires (9) by pulling them through the holes in the end caps and securing the loops with wire crimps (10). Tighten the wire in the hook with an Allen wrench (2.5 mm / 0.1")

Connect the cables to a 12V or 24V power supply (11).