

PRODUCT DESCRIPTION

- Arched cover with a grooved surface
- Dedicated to the basic KLUŚ extrusions
- Very good light diffusion

Fill empty fields

Product nr.

Fixture type

Company

Job name

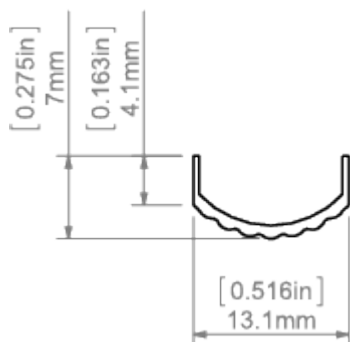
Date



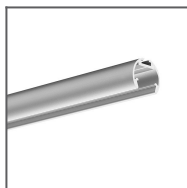
TECHNICAL SPECIFICATION

Material	PC
Available length	1000 mm, 2000 mm, 3000 mm
UV resistance	increased

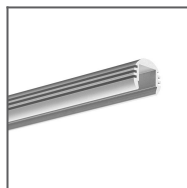
TECHNICAL DRAWING



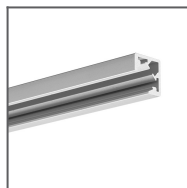
RELATED PROFILES



OLEK Profile
Ref: B8505



PDS-O Profile
Ref: B3777



KUBIK-45 Profile
Ref: B7697