

PRODUCT DESCRIPTION

- Cover dedicated to the JAZ extrusion

Fill empty fields

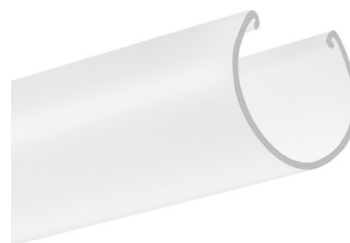
Product nr.

Fixture type

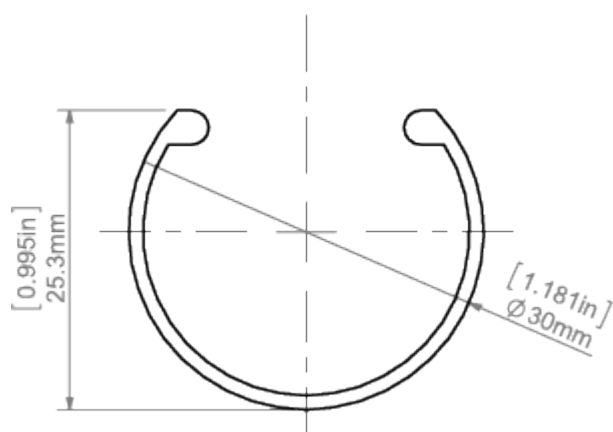
Company

Job name

Date

**TECHNICAL SPECIFICATION**

Material	PC
Available length	1000 mm, 2000 mm, 3000 mm
UV resistance	increased

TECHNICAL DRAWING

RELATED PROFILES



JAZ Profile
Ref: B8547

RELATED PRODUCTS

END CAPS



JAZ grey End cap
Ref: 24224V1