

PRODUCT DESCRIPTION

- High resistance to damage
- Will not corrode
- Simple assembly
- Aesthetically finishing the extrusion
- Has a socket for one pole of electricity

Fill empty fields



Product nr.

Fixture type

Company

Job name

Date

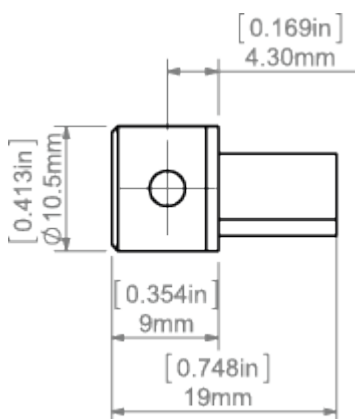
TECHNICAL SPECIFICATION

Additional information

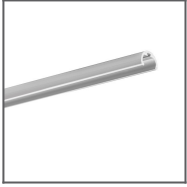
The PIKO-O conductive end cap is designed for single-pole conductivity.
The maximum forward current for the PIKO-O conductive end cap is 2 A.

Material	ABS, metal components
Colour	steel

TECHNICAL DRAWING



RELATED PROFILES



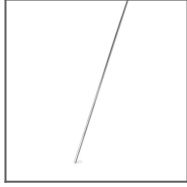
PIKO-O Profile
Ref: C1167

RELATED PRODUCTS

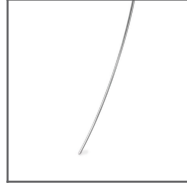
ACCESSORIES



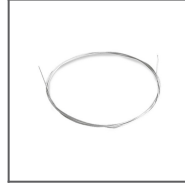
100 PUSZ brass
chrome Rod 1 m
Ref: 42518



Brass chrome FI-3
Rod 1m
Ref: 42501



Steel FI-3 Rod 53
cm
Ref: 1528



Steel cable with
Cu FI 0.95 mm
core
Ref: 70240



Steel wire FI-1 1m
Ref: 1397