

PRODUCT DESCRIPTION

- An end cap with increased weight, dedicated for lightweight vertical lighting fixtures. It facilitates straightening of conductive wires for suspension.

Fill empty fields

Product nr.

Fixture type

Company

Job name

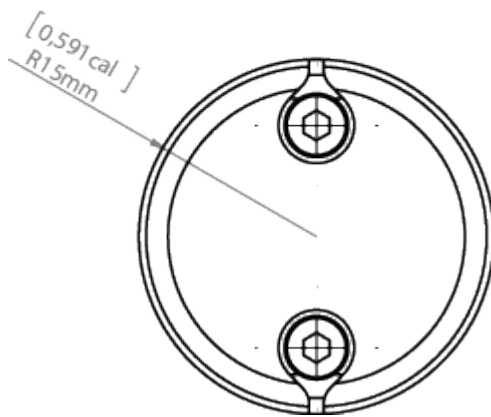
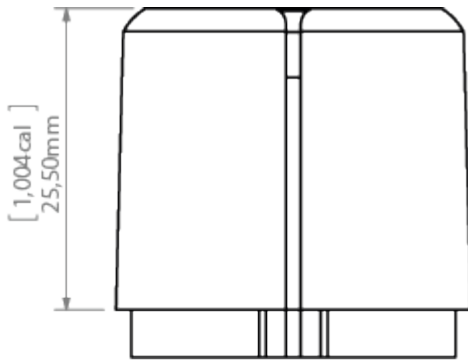
Date



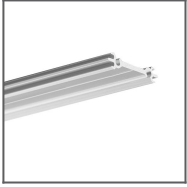
TECHNICAL SPECIFICATION

Material	ABS, metal components
Colour	grey

TECHNICAL DRAWING



RELATED PROFILES



JAZ-DUO Profile
Ref: C0788