

PRODUCT DESCRIPTION

Standard conductive fastener for light-weight fixtures. The extrusion is inserted into the MOUNTING BRACKET for the 45 - ALU profile. Power is supplied outside the fastener to a power connector. One current pole is powered from one fastener that is equipped with a longitudinal hole for the FI-3 ROD, which acts as a power conductor

Fill empty fields

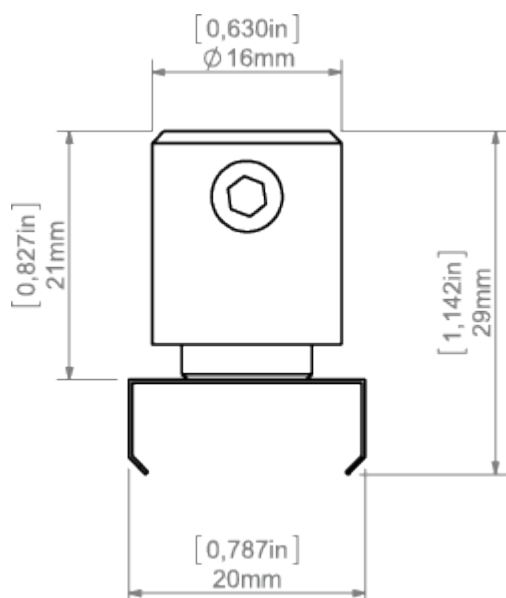
Product nr.

Fixture type

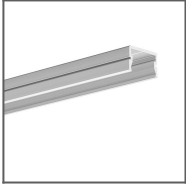
Company

Job name

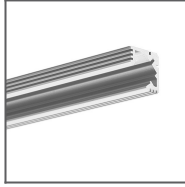
Date

**TECHNICAL SPECIFICATION****TECHNICAL DRAWING**

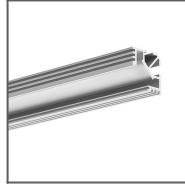
RELATED PROFILES



SILER Profile
Ref: B9325



45-ALU Profile
Ref: B4023



TAN-C5 Profile
Ref: B5391

RELATED PRODUCTS

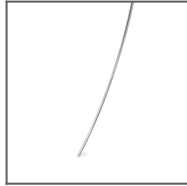
ACCESSORIES



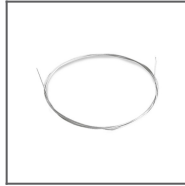
100 PUSZ brass
chrome Rod 1 m
Ref: 42518



Brass chrome FI-3
Rod 1m
Ref: 42501



Steel FI-3 Rod 53
cm
Ref: 1528



Steel wire FI-1 1m
Ref: 1397