



LED SYNC CONTROLLER - RGB

Model Number: VT-2421.

SKU: 3339.

Product Description:

Controller adopts the advanced micro control unit, it is used for controlling a variety of LED light. For instance, point source of light, flexible light strip, wall washer lamp and so on. It has many advantages such as good appearance, easy connection and simplicity to use. Adopts RF 20 key remote control to ON/OFF, choose colors, change dynamic modes.

TECHNICAL PARAMETERS:

- Working temperature : -20-60°C
- Supply voltage : DC12V~24V optional
- Output : 3 channels
- Output current : <6.6A (Each Channel)
- Output power : 12V:240W, 24V:480W.

DIRECTION OF USE

- Connect the load wire and sync-signal cable at first, following by the power wire.
- Ensure short circuit cannot occur before you turn on the power.
- Adopt RF wireless remote control, 20 keys in total, function of each button as below:



Brightness +	Brightness -	pause	on/off
Static red	Static green	Static blue	Static white
Static orange	Static yellow	Static cyan	Static purple
Auto run	three base color jumpy	Three color gradually change	speed +
Flash	seven base color jumpy	Seven color gradually change	speed-

RF CODE

Receiver can be controlled by any one the same remote as factory default; remote control delivered with unique RF code as factory default; if unique-control is needed, please matching the code before installation and using.

Matching code operation

Receiver and Remote Control are coded as default, matching them before using,if unique-control or new-coded-remote is needed, pairing the remote and the receiver as below operation instruction before using:

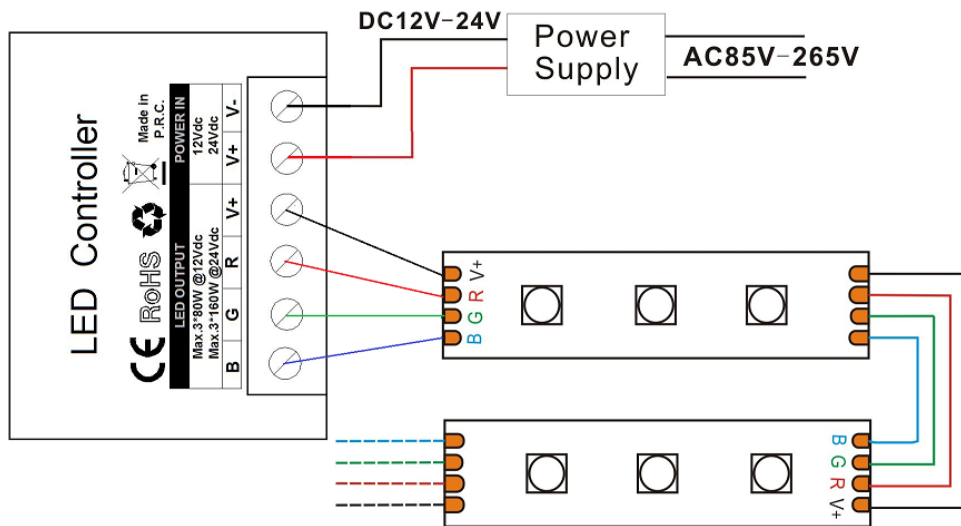
1. **Step 1:** Pressing key “FLASH” and hold on, power on the controller, the load LEDs will be 50% brightness white as responding.
2. **Step 2:** Pressing “FLASH” 3times in 3 seconds ,corresponding to the operation, the LED’s brightness will change as 25%-10%-back to preset level.
3. Code learning successfully, the receiver only can be controlled by the remote.
4. If not, please re-operate from step 1 to 2.

Clear code operation

Back to factory default, wall-panel can be controlled by any one the same remote control.

1. **Step 1:** Pressing key “JUMP7” and hold on, power on the controller, the load LEDs will be 50% brightness white as responding.
2. **Step 2:** Pressing “JUMP7” 3times in 3 seconds ,corresponding to the operation, the LED’s brightness will change as 25%-10%-back to preset level.
3. Code clearing successfully, the LEDs will be back to the status before the power off, and the receiver can be controlled by any remote control(any one the same remote control can be used to clear the code).
4. If not, please re-operate from step 1 to 2

TYPICAL APPLICATION



LED OUTPUT				POWER IN	
Max. 3*80W @12Vdc				12Vdc	
Max. 3*160W @24Vdc				24Vdc	
B	G	R	V+	V+	V-